

## Stainless Steel Shear Beam Load Cell



### FEATURES

- Capacities 500 - 2000 kg
- Stainless steel construction
- OIML R60
- Sealed to IP67

### OPTIONAL FEATURES

- EEx ia IIC T6 hazardous area approval

### DESCRIPTION

Model 3520 is a low profile shear beam load cell designed for high accuracy platform scales, pallet scales and process weighing applications.

It has high immunity to shock or side loading, and is available in 2mV/V sensitivity and is approved to OIML 6000 divisions.

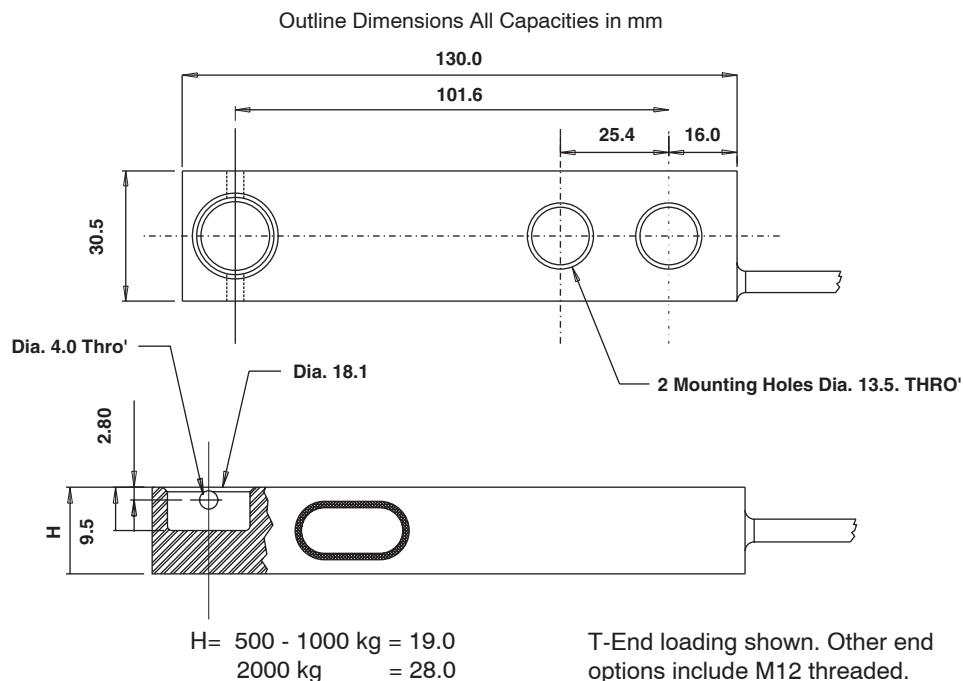
Sealed to IP67 as standard the 3520 is ideally suited for harsh industrial applications where performance and durability are paramount.

The extremely low profile makes this load cell ideal for today's modern low profile industrial platforms.

### APPLICATIONS

- Low profile platforms
- Pallet truck weighing
- Tank and silo weighing
- Food industry platforms

### OUTLINE DIMENSIONS in millimeters



# Model 3520

Vishay Tedea-Huntleigh

Stainless Steel Shear Beam Load Cell



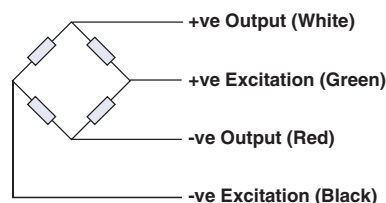
## SPECIFICATIONS

PARAMETER	VALUE			UNIT
	Non-Approved	C3*	C6**	
OIML Accuracy class				
Maximum no. of intervals (n)	1000	3000	6000	
$Y = E_{max}/V_{min}$	4000	12000	15000	Maximum available
Rated capacity-R.C. ( $E_{max}$ )	500, 1000, 2000			kg
Rated output-R.O.	2.0			mV/V
Rated output tolerance	0.002			± mV/V
Zero balance	0.04			+ mV/V
Zero Return, 30 min.	0.050	0.017	0.0083	± % of applied load
Total Error	0.0500	0.0200	0.0100	± % of rated output
Temperature effect on zero	0.007	0.0023	0.0014	± % of rated output/°C
Temperature effect on output	0.002	0.0010	0.00058	± % of applied load/°C
Temp. range, compensated	-10 to +40			°C
Temp. range, safe	-30 to +90			°C
Maximum safe central overload	150			% of R.C.
Ultimate central overload	300			% of R.C.
Excitation, recommended	10			Vdc or Vac rms
Excitation, maximum	15			Vdc or Vac rms
Input impedance	380 ± 15			Ohms
Output impedance	350 ± 3			Ohms
Insulation resistance	> 2000			Mega-Ohms
Cable length	3			m
Cable type	4 wire, braided, Polyurethane, floating screen			Standard
Construction	Stainless steel			
Environmental protection	IP67			
Recommended torque	136.0			N*m

\* 50% utilization

\*\* 60% utilization

Wiring Schematic Diagram



## VISHAY TRANSDUCERS (VT) SALES OFFICES

**VT Americas**  
Covina, CA

PH: +1-626-858-8899  
FAX: +1-626-332-3418  
vt.us@vishaymg.com

**VT Canada**  
Toronto

PH: +1-416-251-2554  
FAX: +1-416-251-2690  
vt.can@vishaymg.com

**VMG UK**  
Basingstoke

PH: +44-125-646-2131  
FAX: +44-125-647-1441  
vt.uk@vishaymg.com

**VT Sweden**  
Karlskoga

PH: +46-586-630-00  
FAX: +46-586-630-99  
vt.se@vishaymg.com

**VMG Germany**  
Heilbronn

PH: +49-7131-3901-260  
FAX: +49-7131-3901-2666  
vt.de@vishaymg.com

**VMG France**  
Chartres

PH: +33-2-37-33-31-20  
FAX: +33-2-37-33-31-29  
vt.fr@vishaymg.com

**VMG Iberica**  
Madrid

PH: +34-91-7218890  
FAX: +34-91-7219056  
vt.es@vishaymg.com

**VMG Israel**  
Netanya

PH: +972-9-863-8888  
FAX: +972-9-863-8800  
vt.il@vishaymg.com

**VT China**  
Tianjin

PH: +86-22-2835-3503  
FAX: +86-22-2835-7261  
vt.prc@vishaymg.com

**VT Taiwan\***  
Taipei

PH: +886-2-2696-0168  
FAX: +886-2-2696-4965  
vt.roc@vishaymg.com  
\*Asia except China